

Check Weighing Indicator

AD4413-CW



*Stainless steel frame on the front
7" high-visibility touch panel color LCD
Up to 1,000 registered items
4000 times/second high-speed sampling
A/D resolution 16,000,000 counts*

AD4413-CW

- Feedback control.
- Three types of weighing modes: Passing, Stopping, and Static Weighing.
- Reports for operational history, weighing history, histogram, control charts, and summary reports.
- Display various data on smartphones and tablets over wireless LAN during measurement.
- Item photo import from a USB Flash Drive.
- Easy setting restoration using a USB Flash Drive.
- Save data to a USB Flash Drive and import it to personal computer.
- IP65 dustproofing/waterproofing when the display is mounted on a panel.

Specifications

■ Analog unit

Input sensitivity	Over 0.15μV/d (d=minimum division)
Zero adjustment range	-35mV to +35mV (-7mV/V to +7mV/V)
Load cell excitation	DC 5V 60mA up to 4 load cells (350Ω) Remote sensing function included
Temperature coefficients	Zero: ±0.02μV/°C (Typ.) Span: ±3ppm/°C (Typ.)
Nonlinearity	0.005% of F.S.
Sampling rate	4000 times per second
A/D resolution	Approx. 16,000,000

■ Digital unit

Number of digits	999,999 d
Display	7" color TFT LCD with touch panel

■ Registered items

Registered items	1,000
------------------	-------

■ General specifications

Power source voltage	AC100V - 240V (+10%, -15%, 50/60Hz, 30VA)
Operating temperature	-10°C to 50°C
Operating humidity	85% RH or less (no condensation)
Dust/water protection	IP65-compliant display when mounted on a panel.

■ Standard Interface

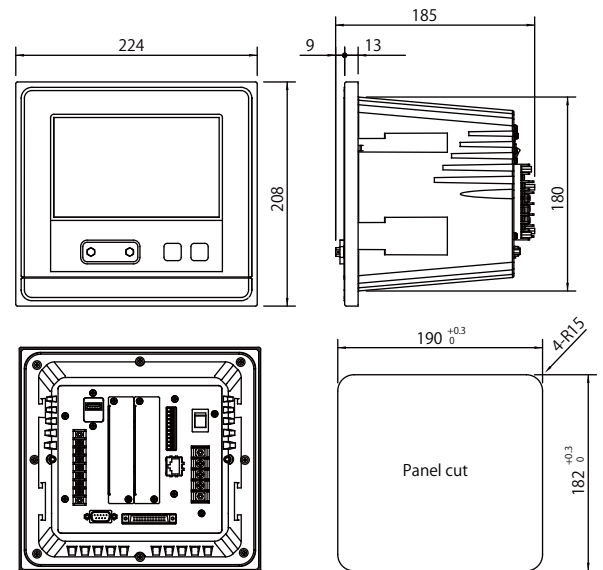
Communication interface	RS-232C, RS-485, LAN, USB2.0, Wireless LAN*
Control I/O	Input 11 points (non-voltage connection point or open collector) Output 11 points (open collector)
Power supply for photo sensor	DC40V 50mA 12V 250mA

■ Options

OP-02	Relay output 9 points DC40V 50mA
OP-05	Parallel I/O DI 16 points DO 16 points DC40V 50mA
OP-07	Analog output 1ch 4-20mA or 0-10V add OP-17 × 3 then Maximum 4ch Output weighing value, conveyer speed control
OP-17	Analog output module 4-20mA or 0-10V
OP-11	Bracket for display stand

*Wireless LAN can be used depending on the regulations of your region.

*Wireless LAN receiving sensitivity depends on the radio wave environment.
Caution is required when performing continuous monitoring.



Appearance and/or specifications subject to change for improvement without notice.



Discover Precision

A&D Company, Ltd.

3-23-14 Higashi-Ikebukuro, Toshima-Ku, Tokyo, 170-0013, Japan Tel: +81 3-5391-6132 Fax: +81 3-5391-1566 <http://www.aandd.jp>

A&D Engineering, Inc.

1756 Automation Parkway, San Jose, CA 95131, U.S.A. Tel: +1 408-263-5333 Fax: +1 408-263-0119

A&D Australasia Pty Ltd.

32 Dew Street, Thebarton, South Australia 5031, Australia Tel: +61 8-8301-8100 Fax: +61 8-8352-7409

A&D Instruments Ltd.

Unit 24/26 Blacklands Way, Abingdon Business Park, Abingdon, Oxfordshire, OX14 1DY, United Kingdom Tel: +44 1235-550420 Fax: +44 1235-550485

<German Sales Office>

Hamburger Straße 30, D-22926, Ahrensburg, Germany Tel: +49 4102-459230 Fax: +49 4102-459231

A&D Korea Ltd.

8F Manhattan Bldg., 33, Gukjegeumyung-ro 6-gil, Yeongdeungpo-gu, Seoul, 07331, Korea Tel: +82 2-780-4101 Fax: +82 2-782-4280

A&D Rus Co., Ltd.

Vereyskaya Str. 17, 121357, Moscow, Russia Tel: +7 495-937-33-44 Fax: +7 495-937-55-66

A&D Instruments India (P) Ltd.

509 Udyog Vihar Phase V Gurgaon-122 016, Haryana, India Tel: +91 (124) 471-5555 Fax: +91 (124) 471-5599

A&D Sciencetech Taiwan Ltd.

4th Floor, Textile Bldg., 5, Ching Tao East Road, Taipei, Taiwan Tel: +886 2-2322-4722 Fax: +886 2-2392-1794